

# APPLICATION INQUIRY - HYDRAULIC SEALS

COMPANY: \_\_\_\_\_ MAIN PHONE: \_\_\_\_\_ FAX: \_\_\_\_\_  
 ADDRESS: \_\_\_\_\_ P. O. BOX: \_\_\_\_\_  
 CITY: \_\_\_\_\_ STATE: \_\_\_\_\_ ZIP / POSTAL CODE: \_\_\_\_\_  
 CONTACT: \_\_\_\_\_ TITLE: \_\_\_\_\_ PHONE: \_\_\_\_\_  
 EMAIL: \_\_\_\_\_  
 ALT. CONTACT: \_\_\_\_\_ TITLE: \_\_\_\_\_ PHONE: \_\_\_\_\_  
 EMAIL: \_\_\_\_\_

EQUIPMENT / MANUFACTURER: \_\_\_\_\_ MODEL NO.: \_\_\_\_\_  
 CURRENT SEAL MANUFACTURER: \_\_\_\_\_ PART NO.: \_\_\_\_\_  
 REASON FOR CHANGE:  PERFORMANCE  DELIVERY  NEW APPLICATION  PRICE  OTHER  
 CURRENT PRICE: \_\_\_\_\_ PCS. MONTHLY USAGE: \_\_\_\_\_ HOURS OP.: \_\_\_\_\_ HOURS SERV. LIFE: \_\_\_\_\_  
 TARGET PRICE: \_\_\_\_\_ PCS. QUOTE QTY: \_\_\_\_\_ PROJECTED ANNUAL QTY: \_\_\_\_\_  
 SPECIAL INSPECTION REQUIREMENTS:  YES  NO SPECIAL PACKAGING REQUIREMENTS:  YES  NO

EXPLAIN: \_\_\_\_\_  
 STANDARD PART:  YES  NO SPECIAL TOOL REQUIREMENTS:  YES  NO TOOLING AVAIL:  YES  NO  
 EXPLAIN: \_\_\_\_\_

REQUEST TOOLING QUOTE:  YES  NO DRAWING AVAILABLE:  YES  NO CAD FILES:  YES  NO  
 ADDITIONAL INFORMATION / NOTES: \_\_\_\_\_

## TYPE OF SEAL

- ROD/SHAFT
- PISTON
- INTERNAL FACE
- EXTERNAL FACE
- POLYPAK®/LOADED LIP U-CUP
- OTHER: \_\_\_\_\_
- WIPER
- T-SEAL
- PISTON CUP
- U-CUP
- VEE AND WV RINGS / SETS

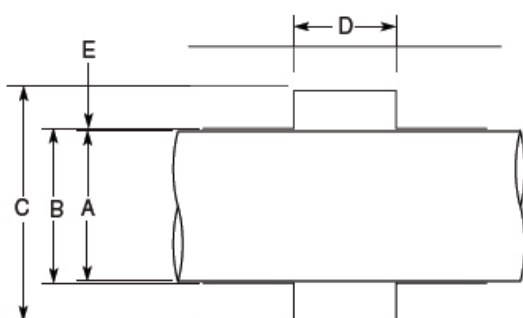
## MATERIAL

- NITRILE
- VITON®
- EPDM
- NEOPRENE
- URETHANE
- OTHER: \_\_\_\_\_
- ROCKHARD
- CARBOXILATED NITRILE
- NITRILE FABRIC
- VITON® FABRIC
- NYLON / PLASTIC

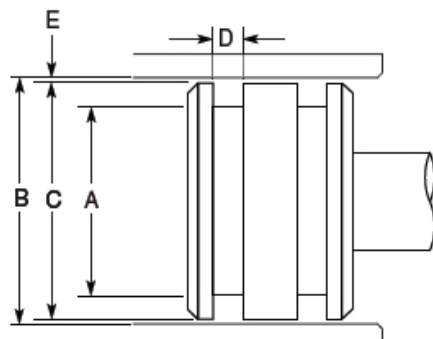
**TECHNICAL INFORMATION**

OPERATING PARAMETERS	UNIT (CIRCLE ONE)			MINIMUM	OPERATING	MAXIMUM
TEMPERATURE:	°K	°F	°C	_____	_____	_____
PRESSURE:	PSI	BAR	MPA	_____	_____	_____
STROKE LENGTH:	INCH	MM		_____	_____	_____
CYCLE RATE:	CYCLES/MIN.	CYCLES/HR	HZ	_____	_____	_____
DEGREE OF ARC (OSCILLATING):	DEGREES			_____	_____	_____
VELOCITY:	FT/MIN.	MM/MIN		_____	_____	_____
VACCUUM:	IN	HG	TORR	_____	_____	_____
ROTARY SPEED:	RPM			_____	_____	_____
MEDIA TO BE SEALED:	_____					

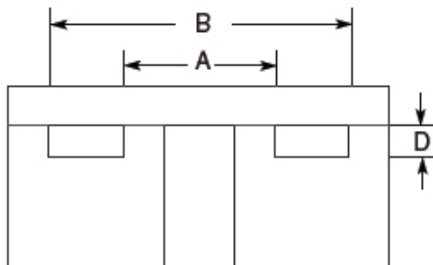
ROD



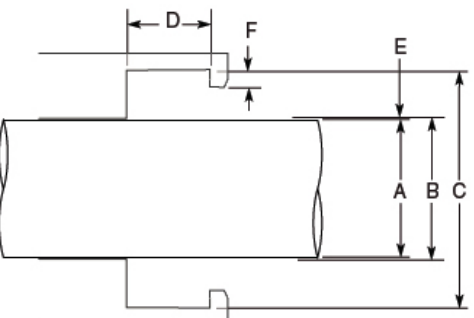
PISTON



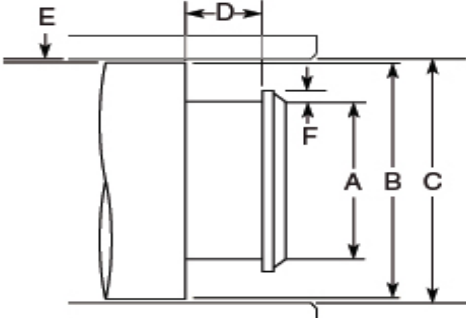
FACE SEAL



OTHER ROD



OTHER PISTON



**DIMENSIONAL NOTES:**

\_\_\_\_\_

\_\_\_\_\_

\_\_\_\_\_

\_\_\_\_\_

\_\_\_\_\_

\_\_\_\_\_

**HARDWARE SPECIFICATIONS**

<b>A</b> DIAMETER:	MIN. _____	MAX. _____	<b>HARDNESS:</b> _____	<b>FINISH:</b> _____	<b>MATL:</b> _____
<b>B</b> DIAMETER:	MIN. _____	MAX. _____	<b>HARDNESS:</b> _____	<b>FINISH:</b> _____	<b>MATL:</b> _____
<b>C</b> DIAMETER:	MIN. _____	MAX. _____	<b>HARDNESS:</b> _____	<b>FINISH:</b> _____	<b>MATL:</b> _____
<b>D</b> GROOVE WIDTH:	MIN. _____	MAX. _____	<b>CAN HARDWARE BE CHANGED?</b> <input type="checkbox"/> YES <input type="checkbox"/> NO		
<b>E</b> RADIAL CLEARANCE:	MIN. _____	MAX. _____	<b>HOW?</b> _____		
<b>F</b> ROD/PISTON STEP HEIGHT:	MIN. _____	MAX. _____			

**SIDE LOAD (LBS. NEWTONS):** \_\_\_\_\_

**MIL-G-55 14 O-RING DASH**  \_\_\_\_\_ **BACK-UP WIDTH:** \_\_\_\_\_

**AS47 16 O-RING DASH**  \_\_\_\_\_ **BACK-UP WIDTH:** \_\_\_\_\_

**RUNOUT TIR:** \_\_\_\_\_

**ECCENTRICITY:** \_\_\_\_\_

**PERFORMANCE REQUIREMENTS (CIRCLE ONE)**

**FRICTION:** LBS. OZ. GMS **BREAKOUT:** \_\_\_\_\_ **DYNAMIC:** \_\_\_\_\_

**EXPECTED LIFE:** CYC HRS YRS \_\_\_\_\_

**MAX. LEAKAGE:** DROPS CC/MIN \_\_\_\_\_

**MOST CRITICAL ASPECT:** \_\_\_\_\_